

KDR-BES-U brush strip with clamp profile

in custom length or sized for Rittal, nVent Hoffman, ELDON, Häwa, Schneider Electric & ETA enclosures



RoHS
compliant

REACH
COMPLIANCE

Made in
Germany

Cable pass-through brush strip for enclosure bases or individual cut-outs on cabinets, enclosures, panels, server racks or machine walls.

Due to the innovative and universal clamp strip the brush can also be assembled in a 90° angle, e.g. on bent sheet metal. Brush may be removed from the profile at any time and remounted using other mounting options.

The KDR-BES-U brush strip is adaptable to almost any enclosure or cabinet type on the market. The standard gland plates included in the enclosure delivery can be used for assembly. They do not have to be changed!

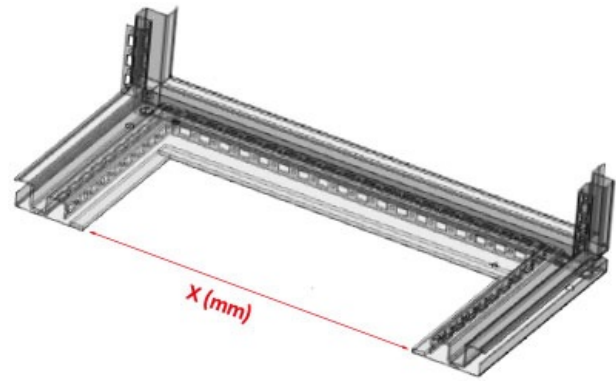
There are 4 different models available:

Order No. 58210.xxxx - for sheet/wall thickness 1.5 - 2 mm, brush height 35 mm

Order No. 58215.xxxx - for sheet/wall thickness 1.5 - 2 mm, brush height 50 mm

Order No. 58225.xxxx - for sheet/wall thickness 2.5 - 3 mm, brush height 35 mm

Order No. 58230.xxxx - for sheet/wall thickness 2.5 - 3 mm, brush height 50 mm



Defining your individual length:

X (mm) = sight size of enclosure base opening

Order numbers (ex.):

X = 999 mm --> Order No. 58210.0999

Specifications

Material	Aluminium Brushes: Polyamide
Operating temperature	-20 C° to 90 C°
Properties	silicone free, halogen free

Advantages & benefits

- Quick assembly without tools
- Original enclosure gland plates can be used when mounting
- Three mounting types possible
- Brush may be remounted at any time using other mounting options
- Available in almost any length up to 1.500 mm

Product types & sizes

KDR-BES-U-xxxx (1.5-2-35 mm)

Part No. **58210.xxxx**
EAN
Package **1**
quantity
Brush height **35 mm**
For min. wall **1,5 mm**
thickness
For max. wall **2 mm**
thickness



KDR-BES-U-xxxx (1.5-2-50 mm)

Part No. **58215.xxxx**
EAN
Package **1**
quantity
Brush height **50 mm**
For min. wall **1,5 mm**
thickness
For max. wall **2 mm**
thickness



KDR-BES-U-xxxx (2.5-3-35 mm)

Part No. **58225.xxxx**
EAN
Package **1**
quantity
Brush height **35 mm**
For min. wall **2,5 mm**
thickness
For max. wall **3 mm**
thickness



KDR-BES-U-xxxx (2.5-3-50 mm)

Part No. **58230.xxxx**
EAN
Package **1**
quantity
Brush height **50 mm**
For min. wall **2,5 mm**
thickness
For max. wall **3 mm**
thickness



KDR-BES-U-VX25-600 (35 mm)



Part No.	58225.0452	Sight size of	452 mm
EAN	4251269320	base opening	
	385	Brush height	35 mm
Package quantity	1		
Width	16 mm		
Suitable for enclosure	Rittal VX25		
Length	452 mm		
For enclosure width	600 mm		

KDR-BES-U-VX25-600 (50mm)



Part No.	58230.0452	Sight size of	452 mm
EAN	4251269320	base opening	
	996	Brush height	50 mm
Package quantity	1		
Width	16 mm		
Suitable for enclosure	Rittal VX25		
Length	452 mm		
For enclosure width	600 mm		

KDRS-BES-U-VX25-600 (50mm)

Part No.	58030	Sight size of	452 mm
EAN	4251269328	base opening	
	909	Brush height	50 mm
Package quantity	1		
Width	16 mm		
Suitable for enclosure	Rittal VX25		
Length	488 mm		
For enclosure width	600 mm		



KDR-BES-U-VX25-800 (35 mm)

Part No.	58225.0652	Sight size of	652 mm
EAN	4251269320	base opening	
	392	Brush height	35 mm
Package quantity	1		
Width	16 mm		
Suitable for enclosure	Rittal VX25		
Length	652 mm		
For enclosure width	800 mm		



KDRS-BES-U-VX25-800 (50mm)



Part No.	58031	Sight size of	652 mm
EAN	4251269328	base opening	
	916	Brush height	50 mm
Package quantity	1		
Width	16 mm		
Suitable for enclosure	Rittal VX25		
Length	688 mm		
For enclosure width	800 mm		

KDR-BES-U-VX25-800 (50mm)



Part No.	58230.0652	Sight size of	652 mm
EAN	4251269321	base opening	
	016	Brush height	50 mm
Package quantity	1		
Width	16 mm		
Suitable for enclosure	Rittal VX25		
Length	652 mm		
For enclosure width	800 mm		

KDR-BES-U-VX25-1000 (35 mm)

Part No.	58225.0402	Sight size of	402 mm
EAN	4251269320	base opening	
	408	Division bar	yes
Package quantity	1	Brush height	35 mm
Width	16 mm		
Suitable for enclosure	Rittal VX25		
Length	402 mm		
For enclosure width	1.000 mm		



KDR-BES-U-VX25-1000 (50mm)

Part No.	58230.0402	Sight size of	402 mm
EAN	4251269320	base opening	
	989	Division bar	yes
Package quantity	1	Brush height	50 mm
Width	16 mm		
Suitable for enclosure	Rittal VX25		
Length	402 mm		
For enclosure width	1.000 mm		



KDRS-BES-U-VX25-1000 (50mm)



Part No.	58032	Sight size of	402 mm
EAN	4251269328	base opening	
	923	Division bar	yes
Package quantity	1	Brush height	50 mm
Width	16 mm		
Suitable for enclosure	Rittal VX25		
Length	438 mm		
For enclosure width	1.000 mm		

KDR-BES-U-VX25-1200 (35 mm)



Part No.	58225.0502	Sight size of	502 mm
EAN	4251269320	base opening	
	415	Division bar	yes
Package quantity	1	Brush height	35 mm
Width	16 mm		
Suitable for enclosure	Rittal VX25		
Length	502 mm		
For enclosure width	1.200 mm		

KDR-BES-U-VX25-1200 (50mm)

Part No.	58230.0502	Sight size of	502 mm
EAN	4251269321009	base opening	
		Division bar	yes
Package quantity	1	Brush height	50 mm
Width	16 mm		
Suitable for enclosure	Rittal VX25		
Length	502 mm		
For enclosure width	1.200 mm		



KDRS-BES-U-VX25-1200 (50mm)

Part No.	58033	Sight size of	502 mm
EAN	4251269328930	base opening	
		Division bar	yes
Package quantity	1	Brush height	50 mm
Width	16 mm		
Suitable for enclosure	Rittal VX25		
Length	538 mm		
For enclosure width	1.200 mm		



KDR-BES-U-TS8-600-0435

Part No.	58210.0435	For enclosure	600 mm
EAN	4251269316	width	
	524	Sight size of	435 mm
Package quantity	1	base opening	
Width	16 mm		
Brush height	35 mm		
Suitable for enclosure	Rittal TS 8		
Length	435 mm		



KDR-BES-U-TS8-800

Part No.	58210.0635	For enclosure	800 mm
EAN	4251269316	width	
	548	Sight size of	635 mm
Package quantity	1	base opening	
Width	16 mm		
Brush height	35 mm		
Suitable for enclosure	Rittal TS 8		
Length	635 mm		



KDR-BES-U-TS8-1000

Part No.	58210.0397	For enclosure	1.000 mm
EAN	4251269316	width	
	517	Sight size of	397 mm
Package	1	base opening	
quantity		Division bar	yes
Width	16 mm		
Brush height	35 mm		
Suitable for	Rittal TS 8		
enclosure			
Length	397 mm		



KDR-BES-U-TS8-1000-0835

Part No.	58210.0835	For enclosure	1.000 mm
EAN	4251269316	width	
	555	Sight size of	835 mm
Package	1	base opening	
quantity		Division bar	no
Width	16 mm		
Brush height	35 mm		
Suitable for	Rittal TS 8		
enclosure			
Length	835 mm		



KDR-BES-U-TS8-1200

Part No.	58210.0495	For enclosure	1.200 mm
EAN	4251269316	width	
	531	Sight size of	495 mm
Package	1	base opening	
quantity		Division bar	yes
Width	16 mm		
Brush height	35 mm		
Suitable for	Rittal TS 8		
enclosure			
Length	495 mm		



KDR-BES-U-HW-600 (392/35 mm)

Part No.	58210.0392
EAN	4251269324
	697
Package	1
quantity	
Length	392 mm
For enclosure	600 mm
width	
Sight size of	392 mm
base opening	
Brush height	35 mm



KDR-BES-U-HW-600 (392/50 mm)

Part No. **58215.0392**
EAN **4251269324**
734
Package quantity **1**
Length **392 mm**
For enclosure width **600 mm**
Sight size of base opening **392 mm**
Brush height **50 mm**



KDR-BES-U-HW-600 (592/35 mm)

Part No. **58210.0592**
EAN **4251269324**
703
Package quantity **1**
Length **592 mm**
For enclosure width **600 mm**
Sight size of base opening **592 mm**
Brush height **35 mm**



KDR-BES-U-HW-600 (592/50 mm)



Part No. **58215.0592**
EAN **4251269324**
741
Package quantity **1**
Length **592 mm**
For enclosure width **600 mm**
Sight size of base opening **592 mm**
Brush height **50 mm**

KDR-BES-U-HW-600 (792/35 mm)



Part No. **58210.0792**
EAN **4251269324**
710
Package quantity **1**
Length **792 mm**
For enclosure width **600 mm**
Sight size of base opening **792 mm**
Brush height **35 mm**

KDR-BES-U-HW-600 (792/50 mm)

Part No. **58215.0792**
EAN **4251269324**
758
Package quantity **1**
Length **792 mm**
For enclosure width **600 mm**
Sight size of base opening **792 mm**
Brush height **50 mm**



KDR-BES-U-HW-600 (992/35 mm)

Part No. **58210.0992**
EAN **4251269324**
727
Package quantity **1**
Length **992 mm**
For enclosure width **600 mm**
Sight size of base opening **992 mm**
Brush height **35 mm**



KDR-BES-U-HW-600 (992/50 mm)



Part No. **58215.0992**
EAN **4251269324**
765
Package quantity **1**
Length **992 mm**
For enclosure width **600 mm**
Sight size of base opening **992 mm**
Brush height **50 mm**

KDR-BES-U-SSP-600 (35 mm)



Part No. **58210.0414** Sight size of **414 mm**
EAN **4251269324** base opening
611 Brush height **35 mm**
Package quantity **1**
Width **16 mm**
Suitable for enclosure **Schneider Electric Spacial SF**
Length **414 mm**
For enclosure width **600 mm**

KDR-BES-U-SSP-600 (50 mm)

Part No.	58215.0414	Sight size of	414 mm
EAN	4251269324	base opening	
	659	Brush height	50 mm
Package quantity	1		
Width	16 mm		
Suitable for enclosure	Schneider Electric Spacial SF		
Length	414 mm		
For enclosure width	600 mm		



KDR-BES-U-SSP-800 (35 mm)

Part No.	58210.0614	Sight size of	614 mm
EAN	4251269324	base opening	
	628	Brush height	35 mm
Package quantity	1		
Width	16 mm		
Suitable for enclosure	Schneider Electric Spacial SF		
Length	614 mm		
For enclosure width	800 mm		



KDR-BES-U-SSP-800 (50 mm)



Part No.	58215.0614	Sight size of	614 mm
EAN	4251269324	base opening	
	666	Brush height	50 mm
Package quantity	1		
Width	16 mm		
Suitable for enclosure	Schneider Electric Spacial SF		
Length	614 mm		
For enclosure width	800 mm		

KDR-BES-U-SSP-1000 (35 mm)



Part No.	58210.0814	Sight size of	814 mm
EAN	4251269324	base opening	
	635	Brush height	35 mm
Package quantity	1		
Width	16 mm		
Suitable for enclosure	Schneider Electric Spacial SF		
Length	814 mm		
For enclosure width	1.000 mm		

KDR-BES-U-SSP-1000 (50 mm)

Part No.	58215.0814	Sight size of	814 mm
EAN	4251269324	base opening	
	673	Brush height	50 mm
Package quantity	1		
Width	16 mm		
Suitable for enclosure	Schneider Electric Spacial SF		
Length	814 mm		
For enclosure width	1.000 mm		



KDR-BES-U-SSP-1200 (35 mm)

Part No.	58210.0477	Sight size of	477 mm
EAN	4251269324	base opening	
	642	Brush height	35 mm
Package quantity	1		
Width	16 mm		
Suitable for enclosure	Schneider Electric Spacial SF		
Length	477 mm		
For enclosure width	1.200 mm		



KDR-BES-U-SSP-1200 (50 mm)



Part No. **58215.0477** Sight size of **477 mm**
EAN **4251269324** base opening
680 Brush height **50 mm**
Package quantity **1**
Width **16 mm**
Suitable for enclosure **Schneider Electric Spacial SF**
Length **477 mm**
For enclosure width **1.200 mm**

KDR-BES-U-ELDON-600 (35 mm)



Part No. **58221.0435** Sight size of **435 mm**
EAN **4251269325** base opening
229 Brush height **35 mm**
Package quantity **1**
Width **16 mm**
Suitable for enclosure **nVent Eldon MCD/MCS/MKD/MKS**
Length **435 mm**
For enclosure width **600 mm**

KDR-BES-U-ELDON-600 (50 mm)

Part No.	58222.0435	Sight size of	435 mm
EAN	4251269325	base opening	
	267	Brush height	50 mm
Package quantity	1		
Width	16 mm		
Suitable for enclosure	nVent Eldon MCD/MCS/MKD/MKS		
Length	435 mm		
For enclosure width	600 mm		



KDR-BES-U-ELDON-800+1600 (35 mm)

Part No.	58221.0635	Sight size of	635 mm
EAN	4251269325	base opening	
	236	Brush height	35 mm
Package quantity	1		
Width	16 mm		
Suitable for enclosure	nVent Eldon MCD/MCS/MKD/MKS		
Length	635 mm		
For enclosure width	800 mm		



KDR-BES-U-ELDON-800+1600 (50 mm)



Part No.	58222.0635	Sight size of	635 mm
EAN	4251269325	base opening	
	274	Brush height	50 mm
Package quantity	1		
Width	16 mm		
Suitable for enclosure	nVent Eldon MCD/MCS/MKD/MKS		
Length	635 mm		
For enclosure width	800 mm		

KDR-BES-U-ELDON-1000 (35 mm)



Part No.	58221.0835	Sight size of	835 mm
EAN	4251269325	base opening	
	243	Brush height	35 mm
Package quantity	1		
Width	16 mm		
Suitable for enclosure	nVent Eldon MCD/MCS/MKD/MKS		
Length	835 mm		
For enclosure width	1.000 mm		

KDR-BES-U-ELDON-1000 (50 mm)

Part No.	58222.0835	Sight size of	835 mm
EAN	4251269325	base opening	
	281	Brush height	50 mm
Package quantity	1		
Width	16 mm		
Suitable for enclosure	nVent Eldon MCD/MCS/MKD/MKS		
Length	835 mm		
For enclosure width	1.000 mm		



KDR-BES-U-ELDON-1200 (35 mm)

Part No.	58221.0495	Sight size of	495 mm
EAN	4251269325	base opening	
	250	Brush height	35 mm
Package quantity	1		
Width	16 mm		
Suitable for enclosure	nVent Eldon MCD/MCS/MKD/MKS		
Length	495 mm		
For enclosure width	1.200 mm		



KDR-BES-U-ELDON-1200 (50 mm)



Part No. **58222.0495** Sight size of **495 mm**
EAN **4251269325** base opening
298 Brush height **50 mm**
Package quantity **1**
Width **16 mm**
Suitable for enclosure **nVent Eldon**
MCD/MCS/M
KD/MKS
Length **495 mm**
For enclosure width **1.200 mm**

KDR-BES-U-ETA-ENUX-600 (35 mm)



Part No. **58221.0363** Sight size of **363 mm**
EAN **4251269325** base opening
304 Brush height **35 mm**
Package quantity **1**
Width **16 mm**
Suitable for enclosure **ETA E NUX**
Length **363 mm**
For enclosure width **600 mm**

KDR-BES-U-ETA-ENUX-600 (50 mm)

Part No.	58222.0363	Sight size of	363 mm
EAN	4251269325	base opening	
	342	Brush height	50 mm
Package quantity	1		
Width	16 mm		
Suitable for enclosure	ETA E NUX		
Length	363 mm		
For enclosure width	600 mm		



KDR-BES-U-ETA-ENUX-800 (35 mm)

Part No.	58221.0563	Sight size of	563 mm
EAN	4251269325	base opening	
	311	Brush height	35 mm
Package quantity	1		
Width	16 mm		
Suitable for enclosure	ETA E NUX		
Length	563 mm		
For enclosure width	800 mm		



KDR-BES-U-ETA-ENUX-800 (50 mm)



Part No.	58222.0563	Sight size of	563 mm
EAN	4251269325	base opening	
	359	Brush height	50 mm
Package quantity	1		
Width	16 mm		
Suitable for enclosure	ETA E NUX		
Length	563 mm		
For enclosure width	800 mm		

KDR-BES-U-ETA-ENUX-1000 (35 mm)



Part No.	58221.0345	Sight size of	345 mm
EAN	4251269325	base opening	
	328	Brush height	35 mm
Package quantity	1		
Width	16 mm		
Suitable for enclosure	ETA E NUX		
Length	345 mm		
For enclosure width	1.000 mm		

KDR-BES-U-ETA-ENUX-1000 (50 mm)

Part No.	58222.0345	Sight size of	345 mm
EAN	4251269325	base opening	
	366	Brush height	50 mm
Package quantity	1		
Width	16 mm		
Suitable for enclosure	ETA E NUX		
Length	345 mm		
For enclosure width	1.000 mm		



KDR-BES-U-ETA-ENUX-1200 (35 mm)

Part No.	58221.0445	Sight size of	445 mm
EAN	4251269325	base opening	
	335	Brush height	35 mm
Package quantity	1		
Width	16 mm		
Suitable for enclosure	ETA E NUX		
Length	445 mm		
For enclosure width	1.200 mm		



KDR-BES-U-ETA-ENUX-1200 (50 mm)



Part No. **58222.0445** Sight size of **445 mm**
EAN **4251269325** base opening
373 Brush height **50 mm**
Package quantity **1**
Width **16 mm**
Suitable for enclosure **ETA E NUX**
Length **445 mm**
For enclosure width **1.200 mm**

KDR-BES-U-HG2-600



Part No. **58210.0362** Sight size of **362 mm**
EAN **4251269318** base opening
207
Package quantity **1**
Brush height **35 mm**
Suitable for enclosure **nVent Hoffman PROLINE G2**
Length **362 mm**
For enclosure width **600 mm**

KDR-BES-U-HG2-800

Part No. **58210.0562** Sight size of **562 mm**
EAN **4251269318** base opening
214
Package quantity **1**
Brush height **35 mm**
Suitable for enclosure **nVent Hoffman PROLINE G2**
Length **562 mm**
For enclosure width **800 mm**



KDR-BES-U-HG2-1000

Part No. **58210.0762** Sight size of **762 mm**
EAN **4251269318** base opening
221
Package quantity **1**
Brush height **35 mm**
Suitable for enclosure **nVent Hoffman PROLINE G2**
Length **762 mm**
For enclosure width **1.000 mm**



Edge protection trim



Part No.	99152
EAN	4251269318
	238
Package quantity	1
Length	100.000 mm
Clamping range	0 x 1 - 2 mm

icotek[®]
smart cable management